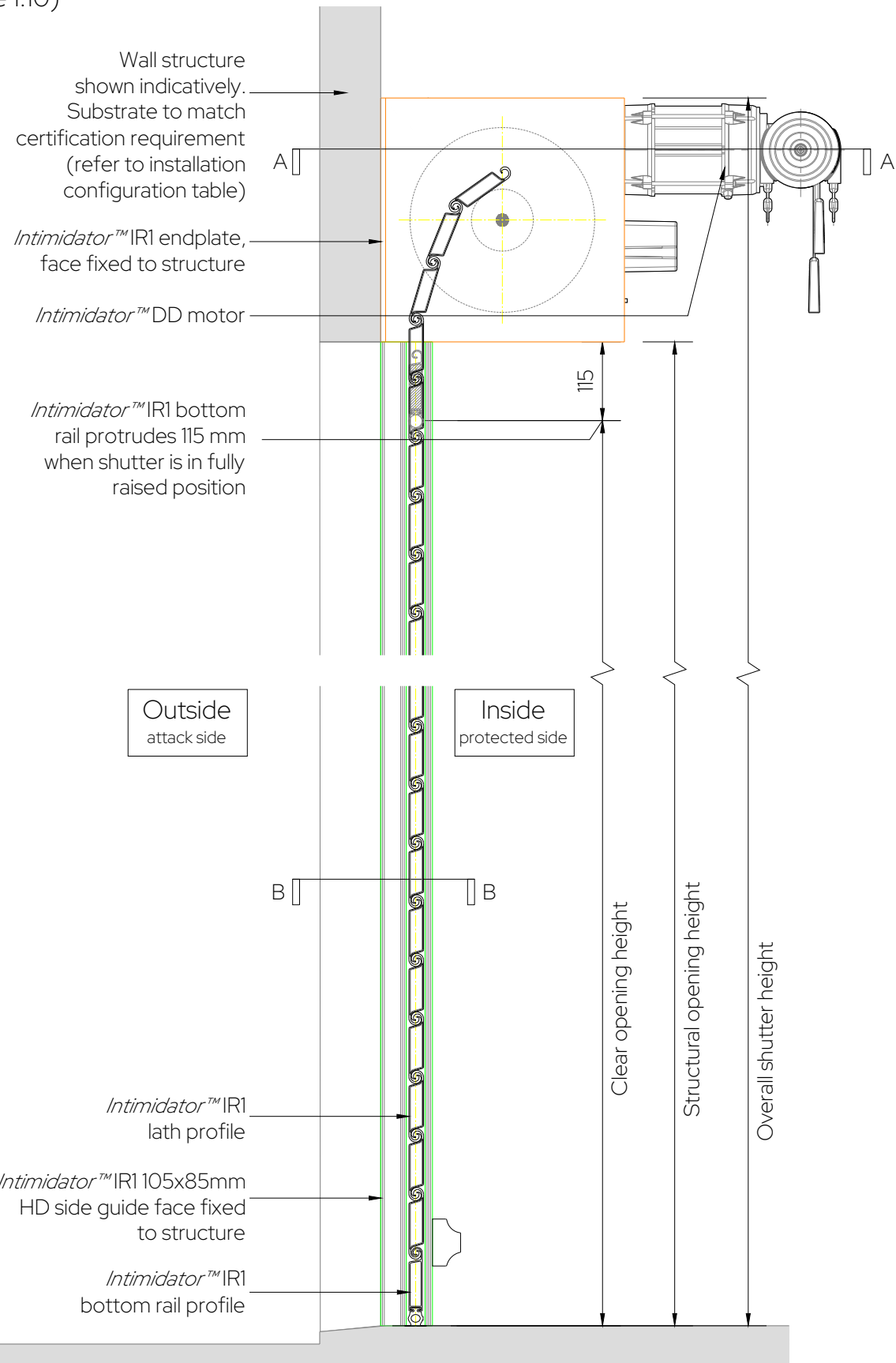
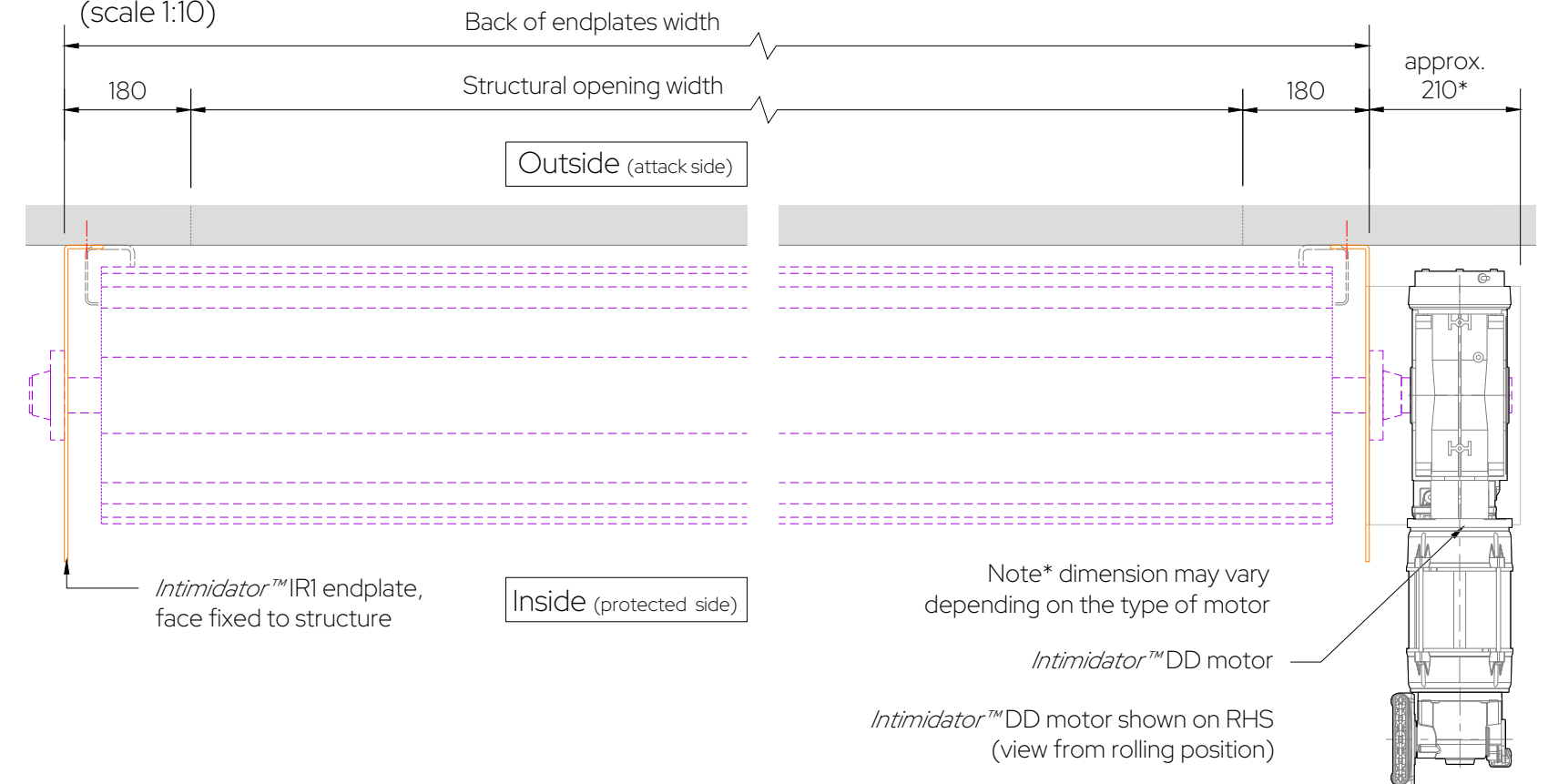


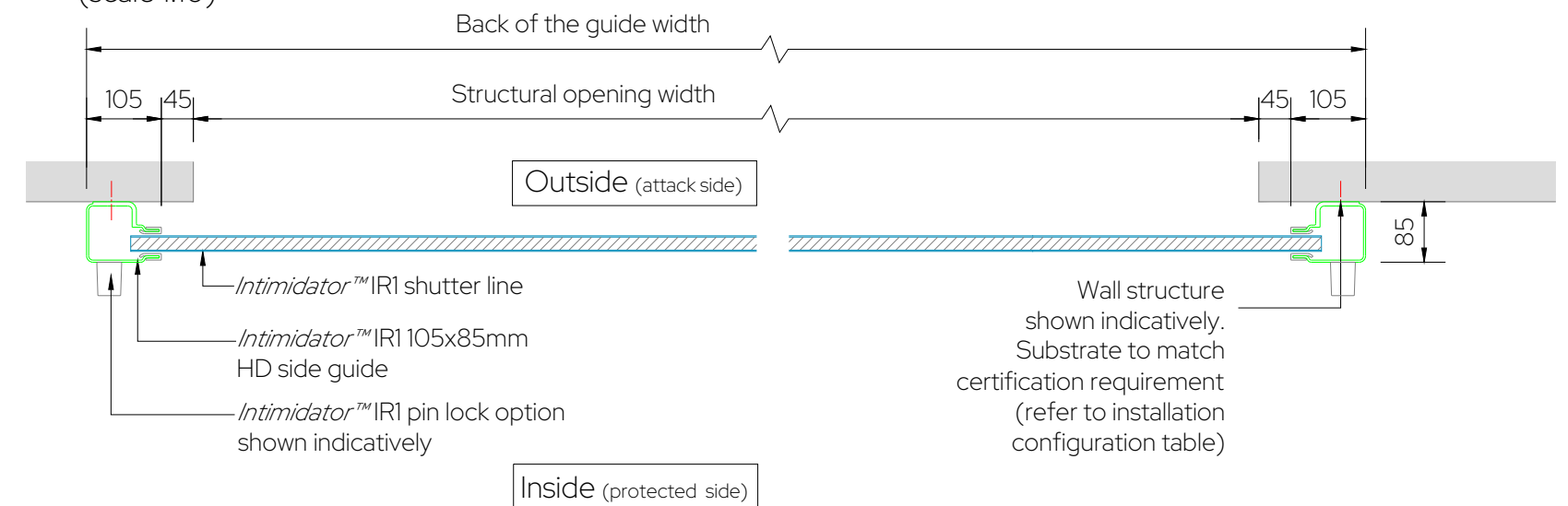
Section
(scale 1:10)



Plan Through: A-A
(scale 1:10)



Plan Through: B-B
(scale 1:10)



NOTES: This drawing is copyright of CGT Security Ltd and must not be reproduced whole or in part without prior written consent.

INTIMIDATOR
HIGH PERFORMANCE INDUSTRIAL DOORS

CGT SECURITY LTD - 1 DARWIN CLOSE - READING - BERKS - RG2 0TB
T: 0330 024 9409 / WWW.CGTSECURITY.COM / SALES@CGTSECURITY.COM

REVISIONS:
A - Initial Issue - 07/05/2021 - BM

DRAWN BY:
BM

CHECKED BY:
-

APPROVED BY:
RM

PROJECT:
Intimidator Standard Drawing Library

DRAWING TITLE:
Standard Drawings - Intimidator IR1 Security Shutter Detail

SCALE:
1:10 @ A3

PROJECTION:
first angle

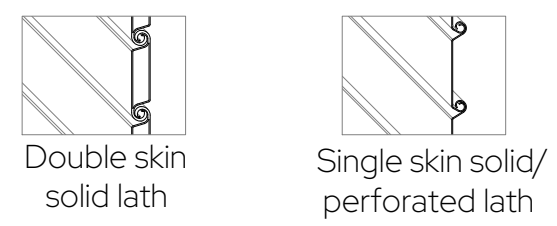
PROJECT NO:
CSDL

DRAWING NO:
L5410 A

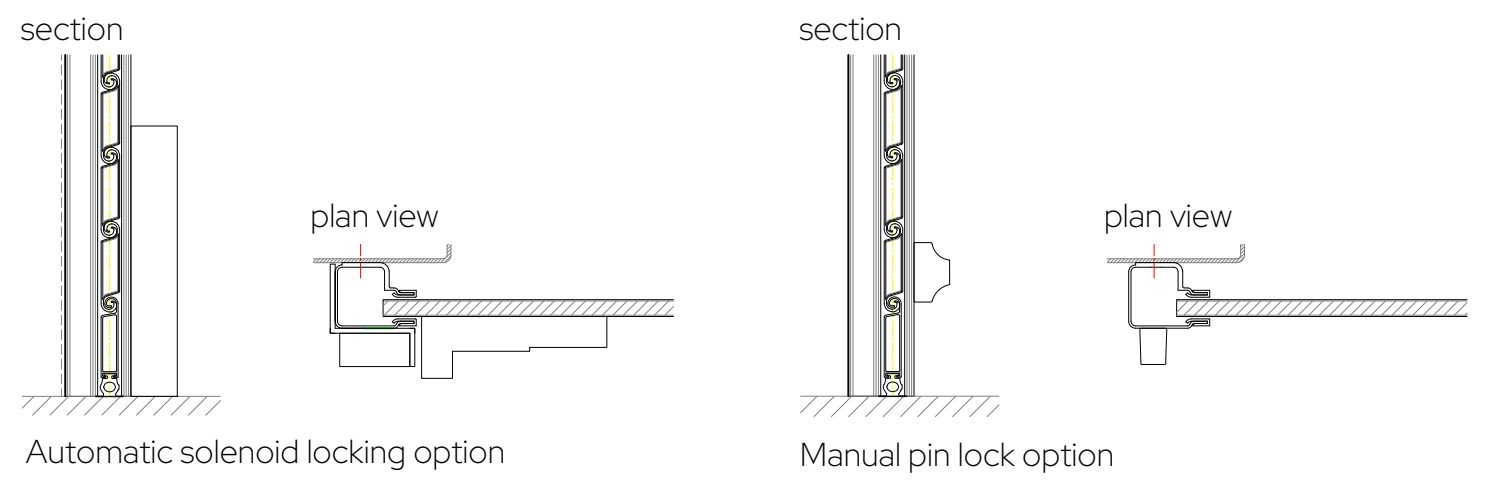
Shutter elevation - shown indicatively (scale NTS)



Intimidator™ IRI lath profiles (scale 1:10)



Intimidator™ IRI locking options (scale 1:10)



| INTIMIDATOR™ IRI SPECIALIST ROLLER SHUTTER SYSTEMS | | | | |
|--|----------------------------------|----------------------------------|-----------------------------------|-----------------------------------|
| Security Rating | Minimum structural opening width | Maximum structural opening width | Minimum structural opening height | Maximum structural opening height |
| A1 (SRI) | 1000mm | 8000mm | 1000mm | 8000mm |
| A1 (SRI) perforated | 1000mm | 8000mm | 1000mm | 8000mm |

NOTE: The installation shall be direct to the substrate and not via intermediate substrates, such as plasterboard

| Installation Configurations | | | | | |
|---------------------------------------|--|-----------|-----------|----------|--|
| Configuration | Substrate | | | | |
| Internally face fitted roller shutter | Structural Timber (minimum 150mm wide) | Brickwork | Blockwork | Concrete | Steel (Minimum 3mm thickness and 150mm wide) |
| | ✓ | ✓ | ✓ | ✓ | ✓ |

NOTES: This drawing is copyright of CGT Security Ltd and must not be reproduced whole or in part without prior written consent.

REVISIONS:
A - Initial Issue - 07/05/2021 - BM

DRAWN BY: BM
PROJECT: Intimidator Standard Drawing Library

CHECKED BY: -
DRAWING TITLE: Standard Drawings - Intimidator IR1 Security Shutter Detail

APPROVED BY: RM
SCALE: 1:10 @ A3
PROJECTION: first angle

PROJECT NO: CSDL
DRAWING NO: L5411 A