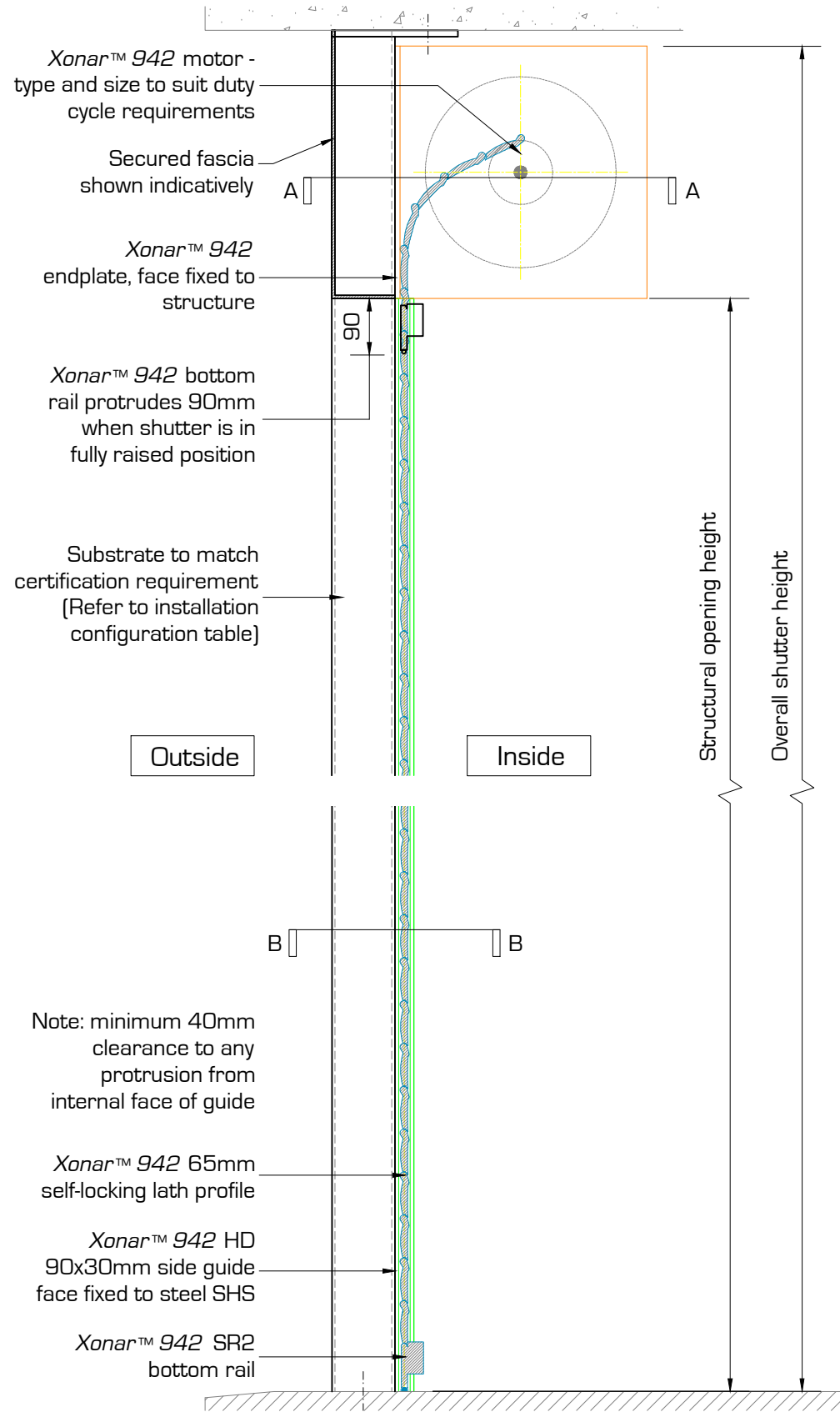
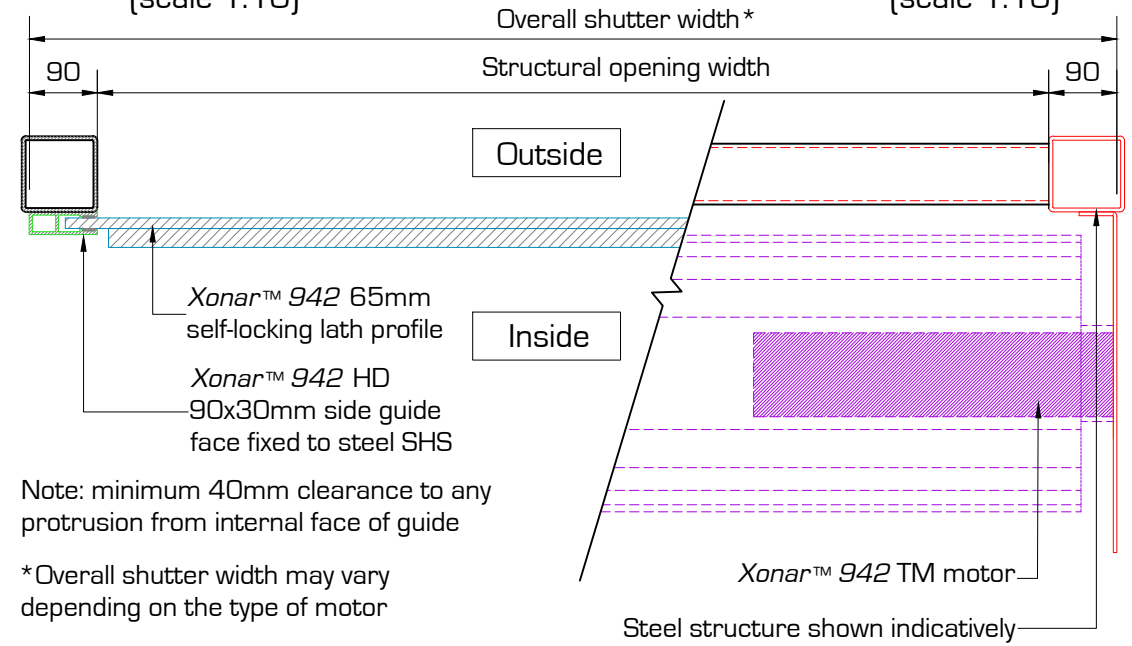


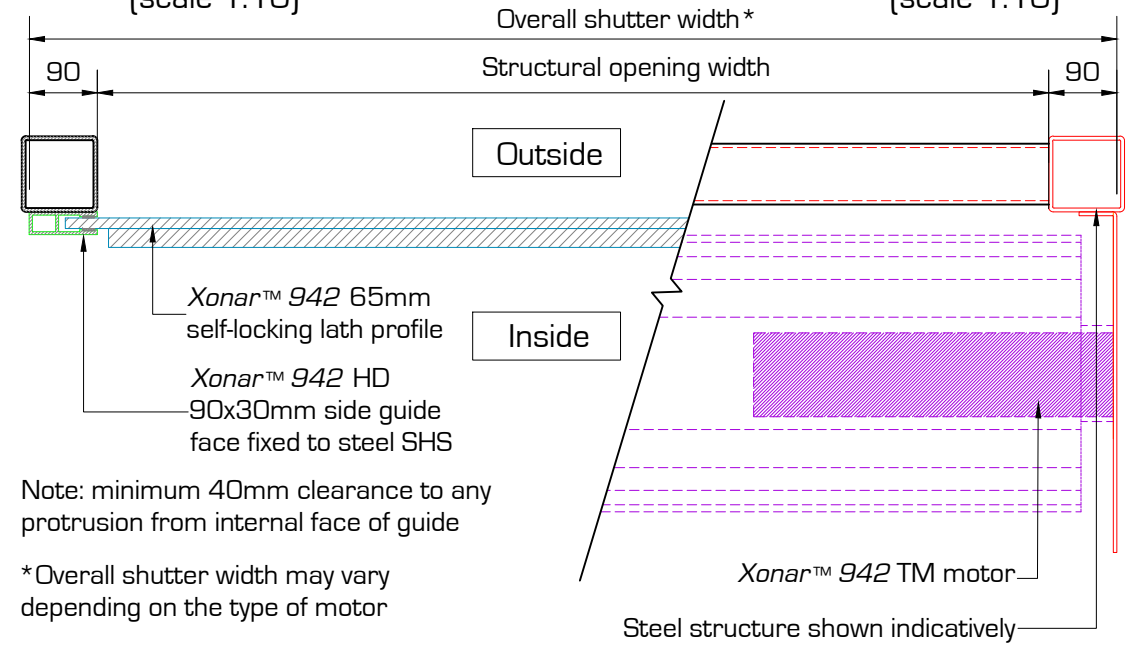
Section
(scale 1:10)



Plan Through: B-B
(scale 1:10)



Plan Through: A-A
(scale 1:10)



Xonar™ 942-TM Box size matrix

Width \ Height	1000 - 2000	2001 - 3000	3001 - 4000	4001 - 5000	5001 - 6000
2000	230x230	250x250	250x250	250x250	250x250
3000	300x300	300x300	300x300	300x300	400x400
4000	300x300	400x400	400x400	400x400	400x400
5000	400x400	400x400	400x400	400x400	400x400
6000	400x400	400x400	400x400	400x400	N/A

Xonar™ 942-TM SPECIALIST ROLLER SHUTTER SYSTEMS

Curtain	Security Rating	Minimum structural opening width (m)	Maximum structural opening width (m)	Minimum structural opening height (m)	Maximum structural opening height (m)
Xonar™ 942	SR2	1.0	8.0	2.0	6.0
Xonar™ 942-P	SR2	1.0	8.0	2.0	6.0

NOTE: The installation shall be direct to the substrate and not via intermediate substrates, such as plasterboard

Installation Configurations

Configuration	Substrate			
	Brickwork	Blockwork	Concrete	3mm Structural Steelwork or greater
Internally face fitted roller shutter	✓	✓	✓	✓



ROLLING INNOVATION

CGT SECURITY LTD - 1 DARWIN CLOSE - READING - BERKS - RG2 0TB
T: 0330 024 9409 / WWW.CGTSECURITY.COM / SALES@CGTSECURITY.COM

REVISIONS:
A - Initial Issue - 28/07/2020 - BM
B - layout updated - 03/04/2024 - BM

NOTES:
1.This drawing is copyright of CGT Security Ltd and must not be reproduced whole or in part without prior written consent.
2.The approval of these drawings constitutes acceptance of the specification as outlined, superseding previous specifications within tender documentation or drawings

DRAWN BY:
BM

CHECKED BY:
-

APPROVED BY:
RM

PROJECT:
Xonar™ Standard Drawing Library

DRAWING TITLE:
Working drawing - Xonar™ 942-TM Security Shutter Details

SCALE:
1:10 @ A3

PROJECT NO:
CSDL

DRAWING NO:
L5510 B